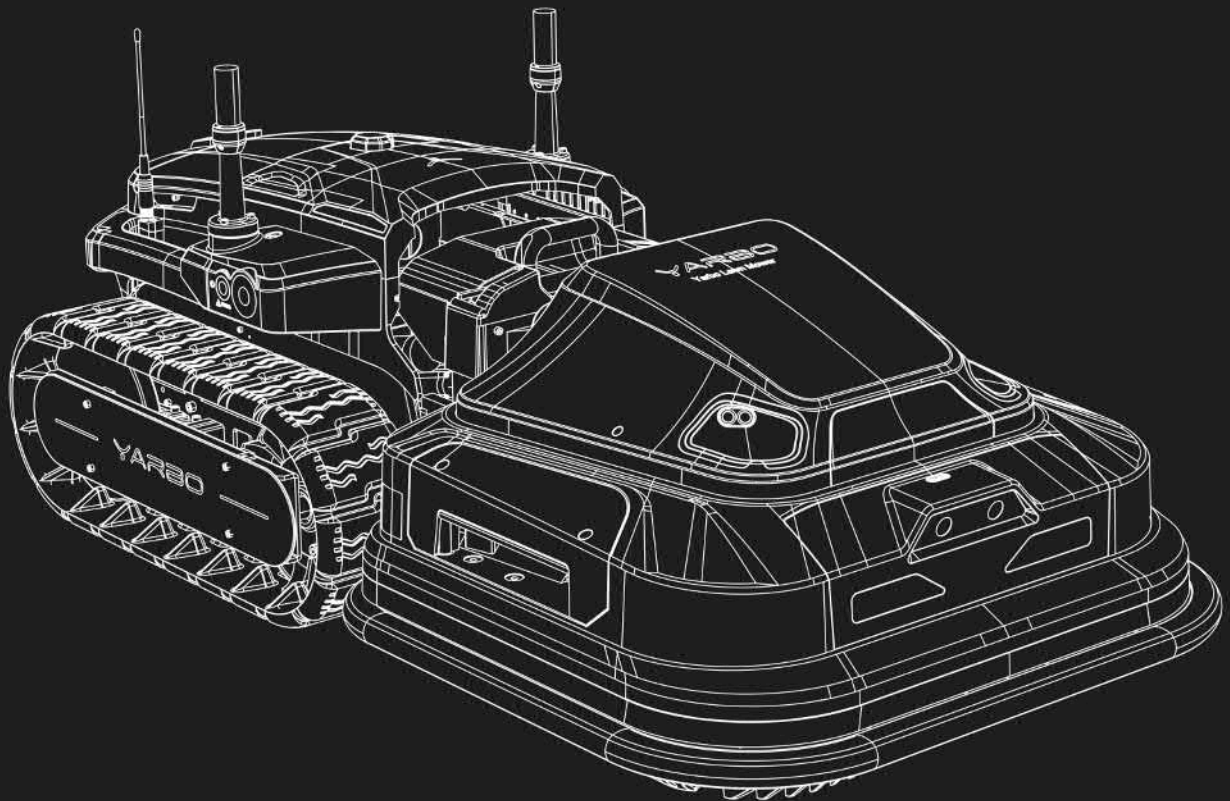


YARBO

2025

USER MANUAL

LAWN MOWER



User Manual



Video Assembly Guide

YARBO

LAWN MOWER User Manual

Table of Contents

Welcome

Safety

| | |
|---|----|
| 1.1 Pre-operation Safety Instructions | 01 |
| 1.2 Operation Safety Instructions | 01 |
| 1.3 After-operation Safety Instructions | 02 |

Box Content Introduction

| | |
|----------------------------|----|
| 2.1 Lawn Mower Box Content | 03 |
| 2.2 Product Overview | 04 |

Installation Guide

| | |
|---------------------------|----|
| 3.1 Assembling Lawn Mower | 06 |
| 3.2 Installing Yarbo App | 09 |

Yarbo APP Features

| | |
|------------------------|----|
| 4.1 Features Statement | 10 |
|------------------------|----|

Physical Controller Instruction

| | |
|--|----|
| 5.1 Button Introduction | 13 |
| 5.2 Connecting Yarbo Controller | 16 |
| 5.3 Yarbo Controller Holder Installation Guide | 17 |
| 5.4 LED Indicator Description | 18 |

LAWN MOWER User Manual

Table of Contents

Maintenance Guide

| | |
|---|----|
| 6.1 Before Conducting Any Maintenance | 21 |
| 6.2 Cleaning Yarbo Core | 22 |
| 6.3 Replacing Cutting Blade | 23 |
| 6.4 Applying Grease on the Tracks | 24 |
| 6.5 Updating Firmware | 25 |
| 6.6 Keeping Battery at Its Best Performance | 25 |

Specification

| | |
|-----------------------------|----|
| 7.1 Yarbo Lawn mower Module | 26 |
|-----------------------------|----|

Limited Warranty

| | |
|----------------------------------|----|
| 8.1 Residential Warrant Coverage | 27 |
| 8.2 General Statement | 28 |
| 8.3 Warranty Forfeiture | 29 |

Welcome



Thank you for choosing the Yarbo Yard Robot. We are pleased to welcome you to our user community. To help you get the most out of your device while ensuring safe operation, we strongly recommend that you read this user manual thoroughly, with particular attention to the sections on correct usage and potential safety hazards.

1. Safety

MUST READ

Failure to follow safety instructions may result in serious injury or property damage. Yarbo disclaims any liability for consequences arising from improper use or failure to follow these instructions.

1.1 Pre-operation Safety Instructions

- Ensure the area is free of obstacles that may cause damage to the product.
- Verify that the product is functioning correctly before use.
- Do not use the product if any parts are broken or malfunctioning.
- Do not allow children or pets to access the controller (physical or mobile app).
- Ensure the product is assembled and operated according to the user manual. The operator must read and fully understand the manual before use.
- Clean the cameras before use, if needed. Use only non-corrosive cleaners and soft materials. Take extra care, as the cameras may become hot and cause burns due to the heating film.

1.2 Operation Safety Instructions

- Always maintain a safe distance when using the controller or during automatic operation. Never place any part of your body near or under the Yarbo system, especially when it is turning or climbing slopes.
- Do not allow children, individuals with physical, sensory, or mental limitations, or those lacking experience or knowledge to operate Yarbo. Please note that local regulations may impose age restrictions on the operator.
- A trained and authorized individual must supervise untrained persons whenever Yarbo is in operation.
- Do not operate Yarbo if the operator is under the influence of alcohol, drugs, or illness.
- Do not throw objects toward the product or surrounding vehicles and buildings, as this may damage the auger or impeller of the active module.
- If Yarbo is operating in public spaces, clearly display warning signs around the work area. Examples include:
 - "Warning! Automatic Snow Blower! Keep away from the machine! Supervise children!"
 - "Warning! Automatic Lawn Mower! Keep away from the machine! Supervise children!"
 - "Warning! Automatic Blower! Keep away from the machine! Supervise children!"
- Do not operate Yarbo near fires, hot ashes, or heat sources to prevent fire hazards.

Yarbo User Manual

1. Safety

- Ensure Yarbo is powered off before clearing blockages, performing maintenance, or conducting inspections. If abnormal vibrations occur, stop operation immediately, press the emergency stop button, and inspect the device for damage. If the vibration continues, remove the battery and check for potential faults.
- Never step or sit on Yarbo at any time.
- Only use the provided docking station to charge Yarbo. To avoid electric shock, overheating, or battery leakage, do not touch any part of the charging station during charging.
- Caution: Slippery Surfaces — Areas where snow has been cleared may remain slippery. Pedestrians and vehicles should proceed with caution to avoid accidents.
- Adapt to Extreme Weather — In extreme conditions (e.g., heavy snowfall or icy surfaces), Yarbo's performance may be affected. Adjust your operation strategy accordingly for optimal and safe use.

1.3 After-operation Safety Instructions

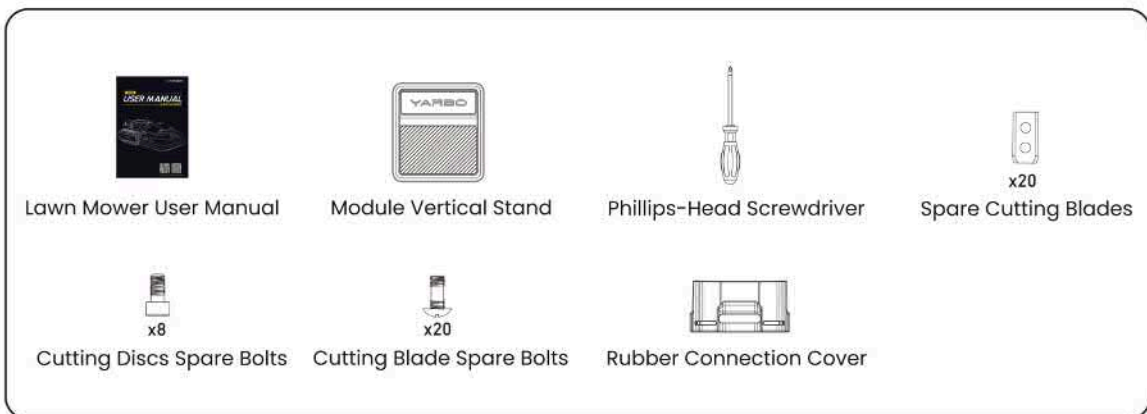
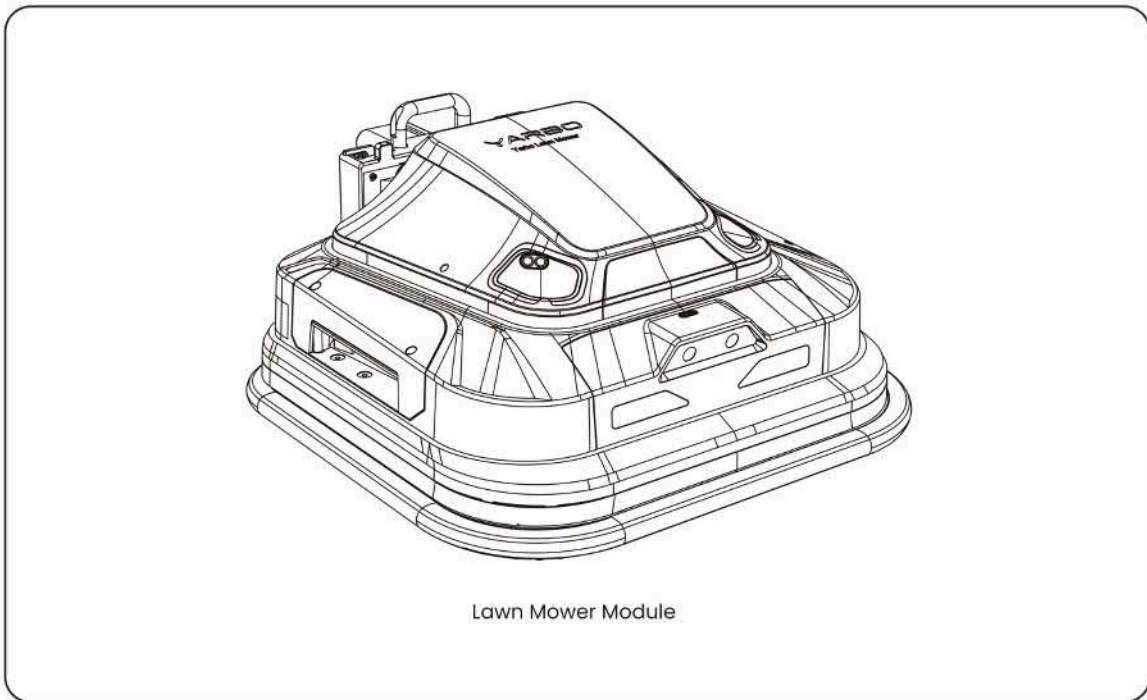
- Always wear gloves and follow the recommended maintenance procedures. Shut down Yarbo and remove the battery before performing any maintenance, inspections, or clearing blockages in the discharge chute.
- Disconnect the battery from the core if Yarbo will not be used for an extended period.
- Regular Maintenance: Regularly inspect the blades, battery, motor, and other parts to ensure proper function and minimize the risk of malfunction.

Disclaimer

This safety guide is provided for general informational purposes. The operator is solely responsible for ensuring compliance with local laws, regulations, and safety standards. Yarbo disclaims all liability for injuries, damages, or losses arising from improper use, failure to follow these instructions, or failure to comply with applicable local laws and regulations.

2. Box Content Introduction

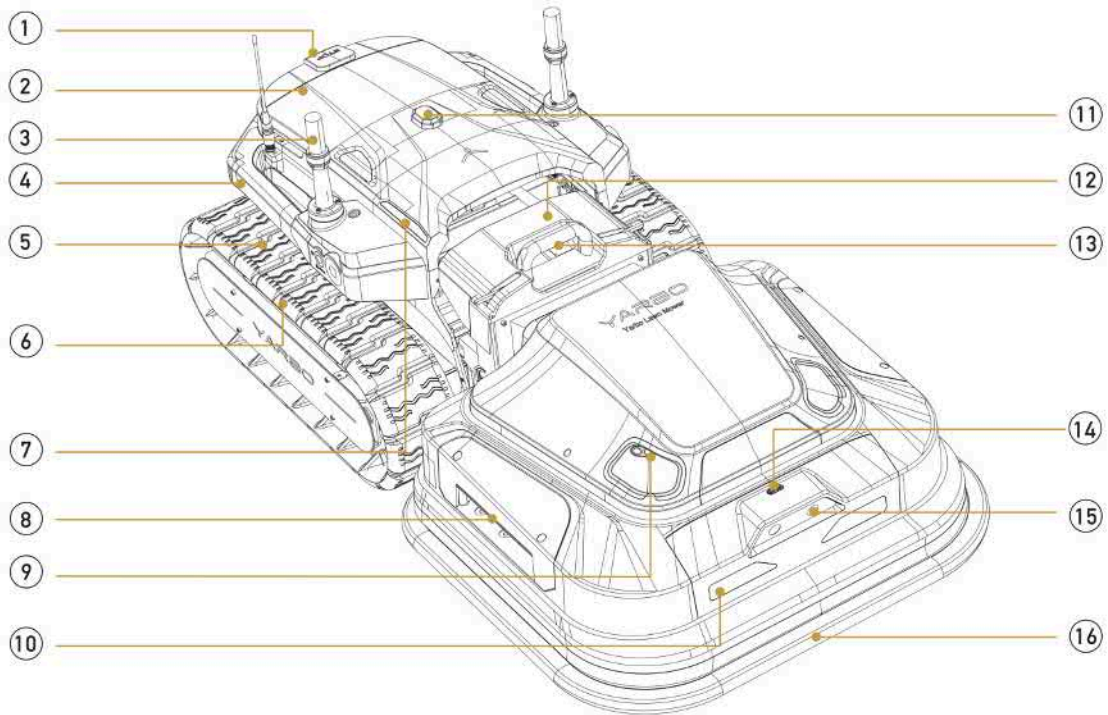
2.1 Lawn Mower Box Content



LAWN MOWER User Manual

2. Box Content Introduction

2.2 Product Overview

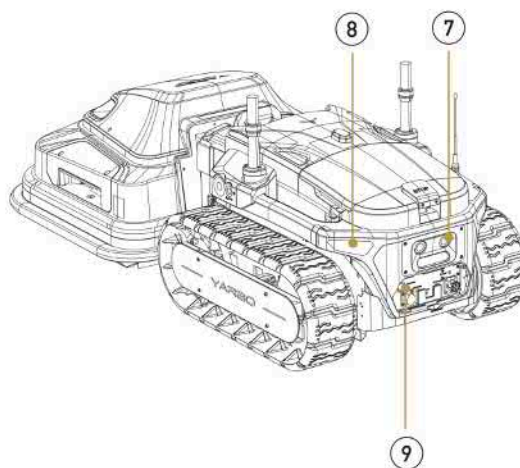
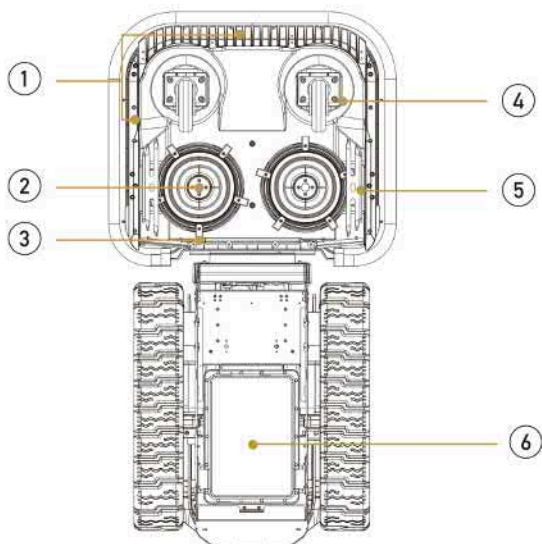


- | | |
|---------------------------|--------------------------------------|
| ① Emergency Stop Button | ⑨ Ultrasonic Radar |
| ② Battery Cabin | ⑩ Front Light |
| ③ RTK antenna | ⑪ Warning Light |
| ④ Lifting Handle | ⑫ Rubber Cover for Module Connection |
| ⑤ Lawn Track | ⑬ Lifting Handle |
| ⑥ Side Camera | ⑭ Rain Sensor |
| ⑦ Battery Indicator Light | ⑮ Front Binocular Camera |
| ⑧ Lifting Handle | ⑯ Bumper |

04 

LAWN MOWER User Manual

2. Box Content Introduction



① Skid Skirt

② Cutting Disc

③ Cutting Blade

④ Caster Wheel

⑤ Blade Guard

⑥ Wireless Charging Receiver

⑦ Rear Binocular Camera

⑧ Rear Light

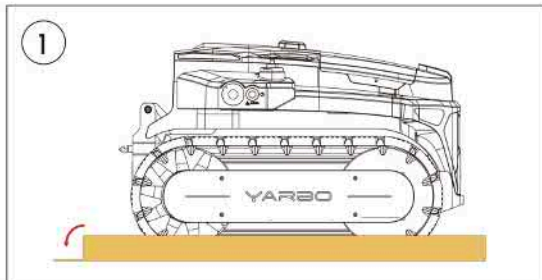
⑨ Activate Button

LAWN MOWER User Manual

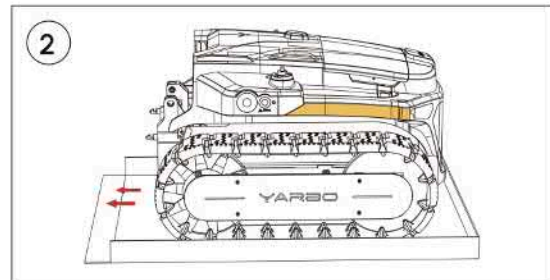
3. Installation Guide

3. Installation Guide

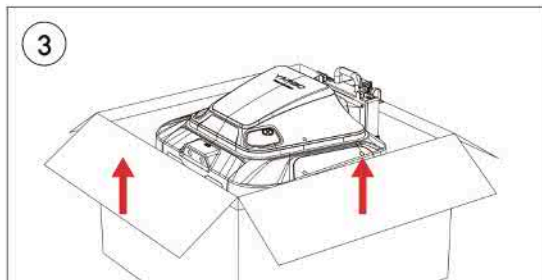
3.1 Assembling Lawn Mower



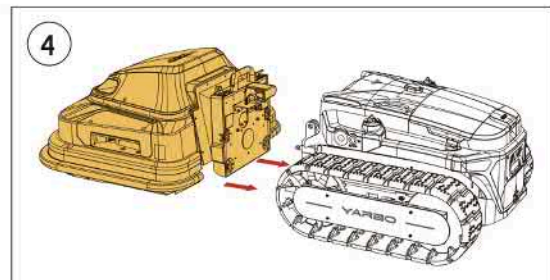
Cut the box along the cutting line on the bottom of the packaging box.



Grasp the lifting handles of the Yarbo Core and **push** the Yarbo Core out from the packaging box.



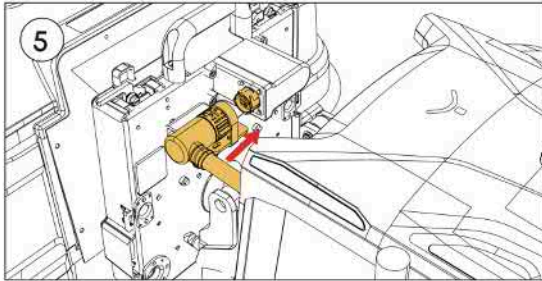
Carefully **lift** the Lawn Mower Module out of the packaging box by grasping the lifting handle.



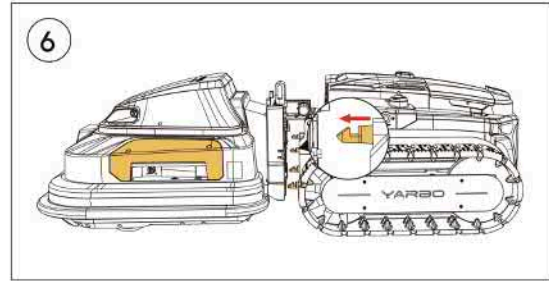
Pull the Lawn Mower Module close to the Yarbo Core by **grasping** the lifting holder on both sides, ensuring that the two parts are prepared closely enough to connect the cable.

LAWN MOWER User Manual

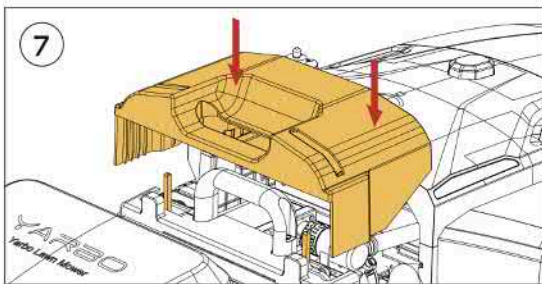
3. Installation Guide



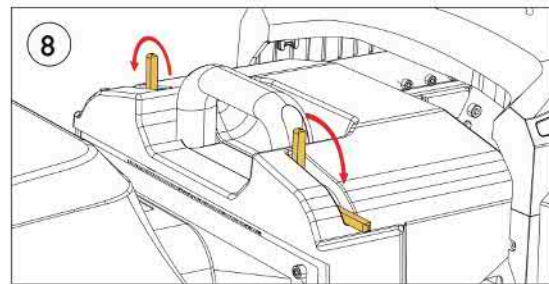
Carefully **insert** the cable into the port on the Lawn Mower Module, ensuring that both are properly aligned and securely connected.



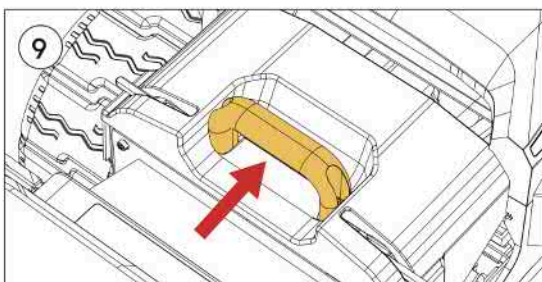
Lift the Lawn Mower Module by **grasping** the holder and **locate** the shafts and holes in the Yarbo Core and Lawn Mower Module. Slightly **push** the Lawn Mower Module towards the Yarbo Core after the proper alignment.



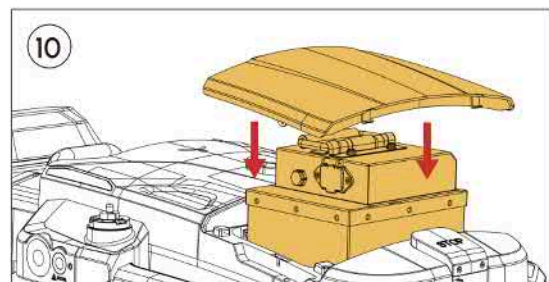
Lift the two locks on the sides. **Locate** the the Plastic Connector Cover provided and **install** it onto the connection part of Lawn Mower.



Push down the two locks on both sides.



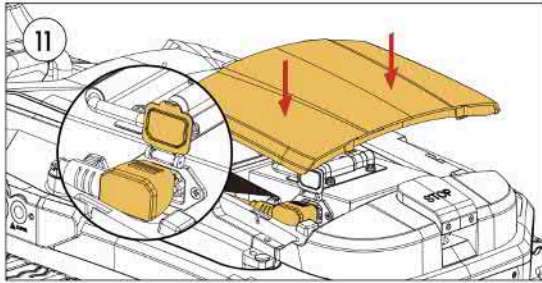
Push the connection part holder until you hear or feel a click.



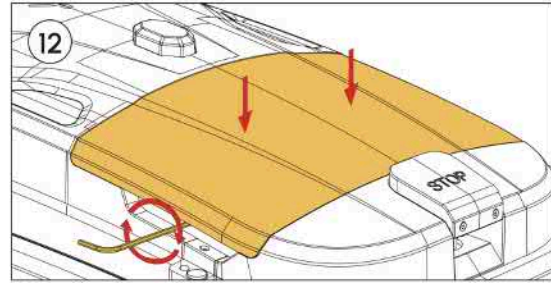
Lift the battery cover and **place** the battery into the battery cabin.

LAWN MOWER User Manual

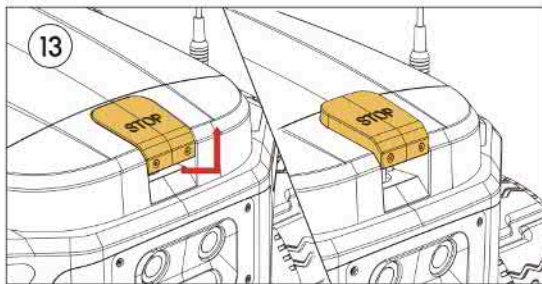
3. Installation Guide



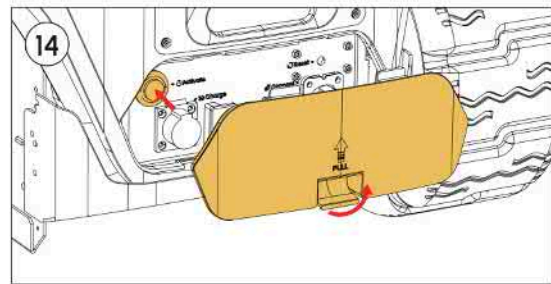
Remove the cover by grasping both sides with your hands and lifting. Place the battery inside the chamber and **connect** the cable from the Yarbo Core to the battery.



Replace the cover and **screw** the Anti-theft Bolts on both sides using Battery Cover Wrench provided in the package.



Lift the Emergency Stop Button.



Remove the rear cover. **Press** the activate button to turn on Yarbo. **Place** back the rear cover.

3.2 Installing Yarbo App

The Yarbo App is a professional application that empowers you to manage and control your Yarbo anytime, anywhere, elevating your lawn mowing cleaning experience to new heights. With its impressive features, you can easily set up work schedules, define multiple working areas and no-go zones, and monitor Yarbo's operating status. Additionally, you can receive the latest firmware updates and access instruction manuals, video tutorials, FAQs, and more through the App.

Follow these simple steps to install and set up the Yarbo App:

- ① Download the Yarbo App by scanning the QR code below or searching on the app store.
- ② After installation, log in to your Yarbo account. If you don't have one, please register.
- ③ Follow the steps of the first-time user guide on the app. If there are few steps that are hard to understand please refer to the app section of this user manual.

*Note: Once a device is associated with a Yarbo account, it cannot be linked to a new account. However, you can invite others to use your Yarbo through Yarbo Sharing in the app.

iOS



Android



LAWN MOWER User Manual

4. Yarbo APP Features



APP Tutorial

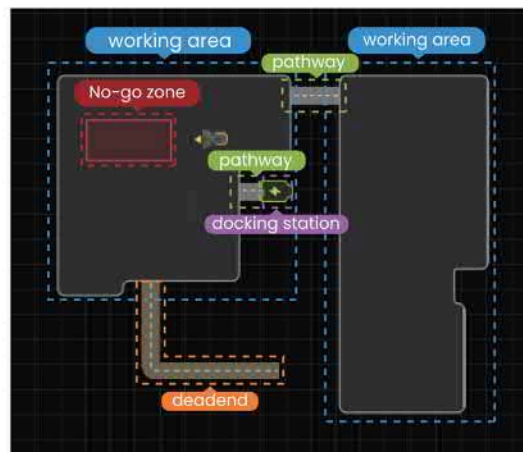
4. Yarbo APP Features

Before using the Yarbo App, we recommend taking a few moments to read through this user manual. The app plays a key role in operating your Yarbo device, so understanding its features and how it works is essential for a smooth experience. If you haven't downloaded the app yet, please refer to Section 3.2.

4.1 Features Statement

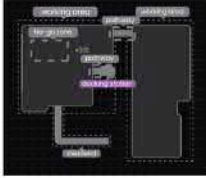
1. Mapping

The mapping function is tailored for users to create a detailed map of the area where Yarbo to operate. Normally, A map encompass the docking station, pathways, woking areas, no-go zones. With the map, Yarbo can design its route through intelligent algorithm and execute the work plan depending on the personal schedule. The provided picture serves as an example of the map, showing two designated working areas, one No-go Zone, two Pathways and a docking station.



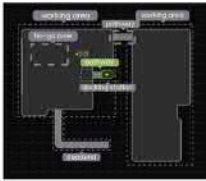
LAWN MOWER User Manual

4. Yarbo APP Features



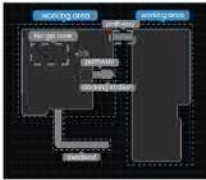
① Docking Station serves two purposes:

1. Charging Station – Marked by a green battery icon on the map.
2. Work Plan Starting Point – The designated location where Yarbo begins its tasks. If you need to move the docking station, update its position on the map by clicking "Reinstall Docking Station" on the Yarbo Settings page.



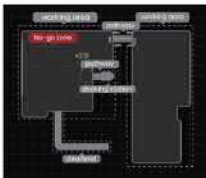
② Pathway:

A pathway is designed to be a narrow lane that connects the two elements. A pathway can connect the docking station and the working area. At the same time, it can also connect two working areas shown in the map.



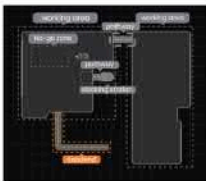
③ Working Area:

The working area refers to an enclosed zone where Yarbo performs operations. While the entire map requires at least one working area connected to the docking station, additional working areas may be added and connected via pathways. To define a working area, simply drive Yarbo along the desired perimeter – the system will automatically recognize the boundary and handle all navigation routing. Each working area must maintain a fully enclosed boundary for proper operation.



④ No-go Zone:

The "No-go zone" refers to enclosed areas within the working area where you do not want Yarbo to enter. Typically, these areas include the swimming pool, flowerbeds, restricted areas, and large obstacles that may obstruct Yarbo's normal operation. Although Yarbo M1 can detect and avoid obstacles, drawing the no-go zone in Advancement can save time during operating.



⑤ Deadend:

A deadend refers to a narrow path that is as wide as the Yarbo itself. One end of the deadend should be connected to working area or pathway. A deadend is a narrow path that matches the width of the Yarbo. One end must connect to a working area or pathway, while the other end can remain unconnected. When processing a deadend, the Yarbo moves straight in and straight out.

LAWN MOWER User Manual

4. Yarbo APP Features

2. Work Plan

The Work Plan feature is designed to help users create mowing tasks. Each work plan can be customized by choosing one or more elements on the map. In other words, users can create different work plans that include different elements on the same map. The purpose of creating different work plans is to ensure that different elements can have different working schedules.

3. Schedule

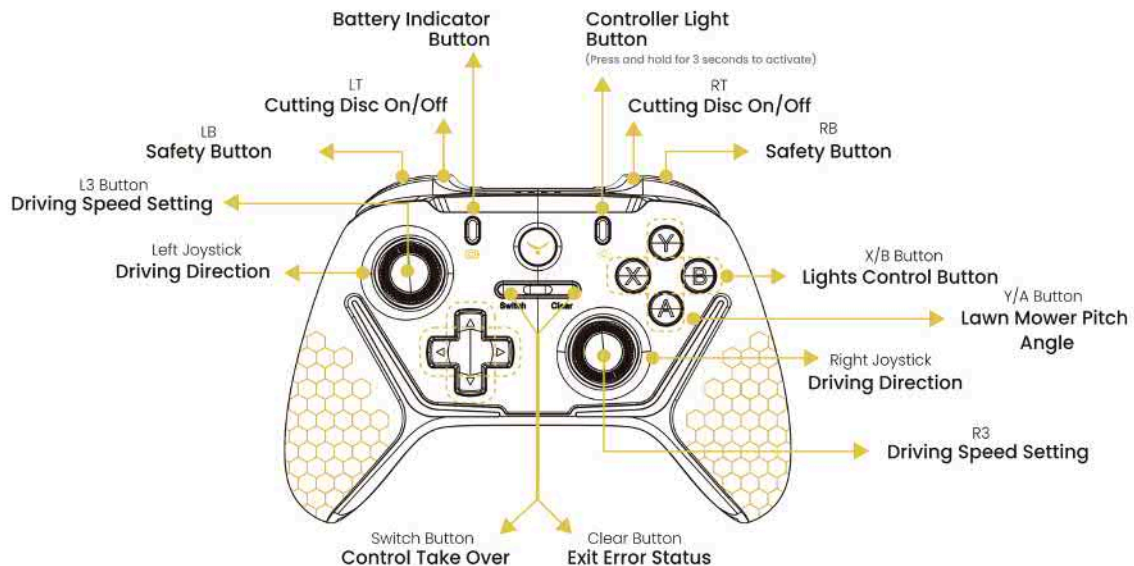
The Schedule feature empowers users to establish precise working time slots and work frequencies for the created work plan. Each schedule can only be linked with one work plan at a time, ensuring clarity and efficiency in task management. By utilizing schedules, users can enjoy 100% activities in alignment with their specific requirements.



5. Physical Controller Instruction

Physical controller is an alternative method for controlling Yarbo. This section aims to provide basic instructions for operating the Yarbo using the physical controller.

5.1 Button Introduction:

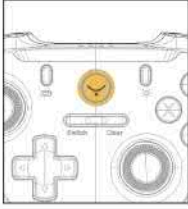


WARNING

- DO NOT operate Yarbo when the controller is exposed to an ambient temperature higher than 45 °C or lower than -25 °C.

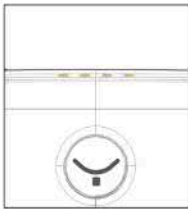
LAWN MOWER User Manual

5. Physical Controller Instruction



Yarbo Logo Button:

Logo button can be used to power on or off the controller. To power on the controller, short press the **Logo button for 1 second**. To power off, press the **Logo buttons for 3 seconds**. If the controller is not in use, it will automatically power off after 5 minutes.



Battery Level

Press the Battery Indicator Button (refer to the picture on the next page) to check the battery level of the controller. The four LED lights on the top of the controller indicate the battery status.

| | |
|--|---|
| | Light 1 stays on indicates battery level is 1%-25%. |
| | Lights 1 and 2 stay on indicates battery level is 26%-50%. |
| | Lights 1, 2, and 3 stay on indicates battery level is 51%-75%. |
| | All lights (1, 2, 3, and 4) stay on indicates handle battery level is 76%-100%. |



Switch & Clear Button:

Long press the switch button for seconds to take over the control authority. Once the physical controller gains authority, the users can operate the lawn mowing.

Short press the switch or clear button to exit the error mode. When Yarbo encounters the dangers or stuck by any obstacles, it will stop and enters the error mode. After the dangers are cleared, pressed the start or clear button to exit the error mode.



LB & RB (Safety button):

LB & RB are designed as safety button, which means that one of the buttons should be pressed throughout most of the operation that may cause dangerous result. Except for the X/A/B/Y buttons and D-pads, the rest of the function buttons must be pressed with the safety button to execute their own functions.

LAWN MOWER User Manual

5. Physical Controller Instruction



Left Joystick and Right Joystick:

These two joysticks control the direction of movement and speed of the robot. Press the safety button LB and rotate the stick around to control Yarbo's movement in any direction. Press the left and right stick vertically down to switch between two-speed settings (L3, R3 button).



Y Button:

This button controls the Lawn Mower Module to pitch up. Press and hold the button to continuously pitch up the Lawn Mower Module until it reaches the highest position. Release the button to stop at the current angle.



A Button:

This button controls the Lawn Mower Module to pitch down. Press and hold the button to continuously pitch down the Lawn Mower Module until it reaches the lowest position. Release the button to stop at the current angle.



B Button:

Press this button to turn on and off the front lights (default setting is on).



X Button:

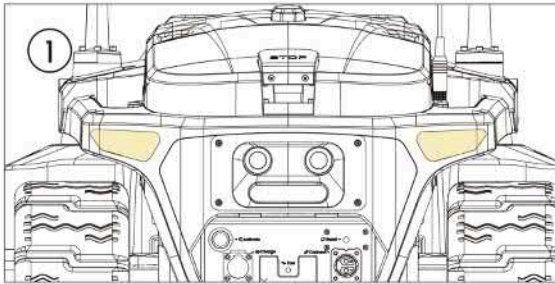
Press this button to turn on and off all the lights (default setting is on).

LAWN MOWER User Manual

5. Physical Controller Instruction

5.2 Connecting Yarbo Controller

5.2.1 Connecting physical controller to Yarbo



Before proceeding, ensure that Yarbo is powered on. A solid white light on the Yarbo (as shown in the figure above) indicates that Yarbo is powered on and ready for the controller setup.



Make sure the slide switch is slid to the right side.



Short-press the Yarbo Logo Button to power on the physical controller.



Observe the LED indicator on top of the Yarbo Controller. A steady yellow light means the controller has successfully connected.



To obtain control of the physical controller, press and hold the Switch button for 2–3 seconds. Once control is granted, you can begin operating Yarbo.

LAWN MOWER User Manual

5. Physical Controller Instruction

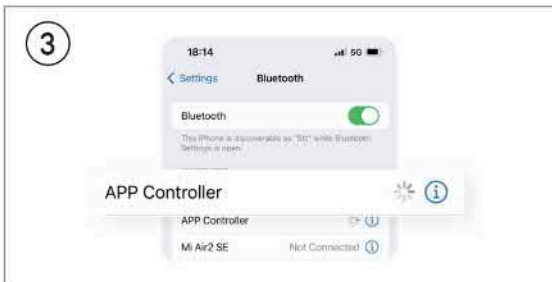
5.2.2 Connecting physical controller to mobile phone



Make sure that the slide switch is slid to the left side.



Press for one second to pair the controller with the phone if the controller is on. Press and hold for about 5 seconds to start and pair the controller with the phone if the controller is off.



Open the phone setting page and turn on Bluetooth. Click the '**APP Controller**' to pair the Yarbo physical controller.



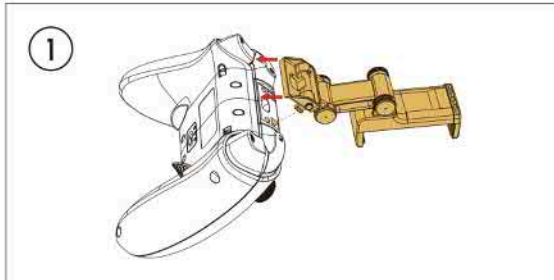
Observe the LED light on the top of Yarbo Controller. If the left yellow light is on steadily, it indicates that connected with the phone.

5.3 Yarbo Controller Holder Installation Guide

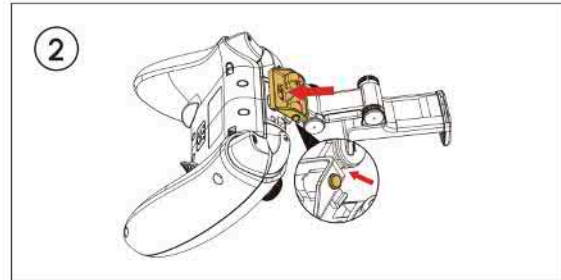
We offer an additional controller holder for our users, allowing them to conveniently place their mobile phones on the holder to see the camera view on-time.

LAWN MOWER User Manual

5. Physical Controller Instruction



Locate the Physical Controller Holder provided in the Yarbo Core package and locate the side button on the Holder.



Locate the shafts and holes and press the buttons on both sides of the Holder, and then press the middle part as shown in the picture.

WARNING

- Never place the controller in the reach of children.
- Never allow unauthorized nor untrained persons to use the controller.

CAUTION

- DO NOT expose the controller to freezing temperatures for an extended duration.
- DO NOT spill water or snow on the surface of the controller. If any water or snow comes into contact with the controller, wipe it immediately.

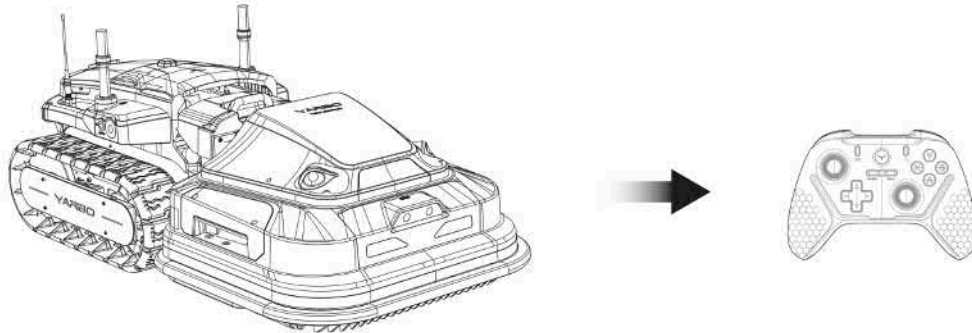
NOTICE




- Please note that any damage or malfunction caused by or misuse of the controller will not be covered by the warranty.

5. Physical Controller Instruction

5.4 LED Indicator Description

Yarbo connecting mode

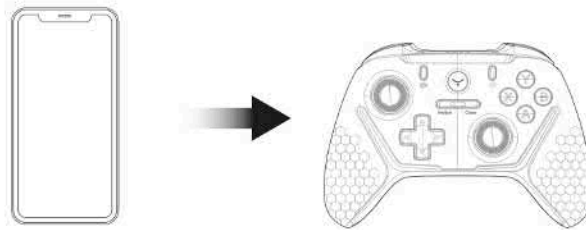


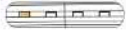
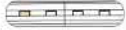
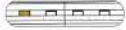
| LED Indicator | Description |
|--|---|
| Two lights steady on  | Controller and the Yarbo are connected successfully |
| Two lights flash slowly  | Controller is connecting to the Yarbo |
| Two lights flash rapidly  | Initiate the pairing of the Controller with the Yarbo |

LAWN MOWER User Manual

5. Physical Controller Instruction

Phone connecting mode



| LED Indicator | | Description |
|------------------------|---|---|
| One light steady on |  | App and Controller are connected successfully |
| One light flash slowly |  | The Controller is connecting to the App |
| One light |  | Initiating the pairing of the controller with the App |

Additional Notes

Four lights flash during the charging process till fully charged.

Two flash lights indicate the battery level is low during use.



Maintenance Video

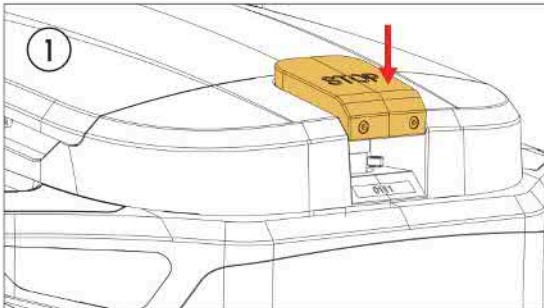
6. Maintenance Guide

6.1 Before Conducting Any Maintenance

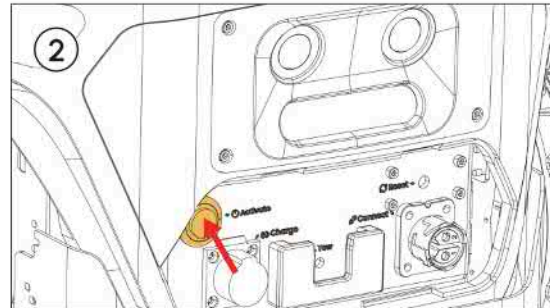
WARNING

- Please ensure that you do not wear open-toed shoes or go barefoot when performing the following maintenance tasks.
- Always use appropriate Personal Protective Equipment (PPE). Wear protective gloves and goggles whenever performing maintenance tasks or when needed.
- Ensure that Yarbo is switched OFF and disconnects the battery when performing the following maintenance tasks.

Disconnecting Battery from Yarbo



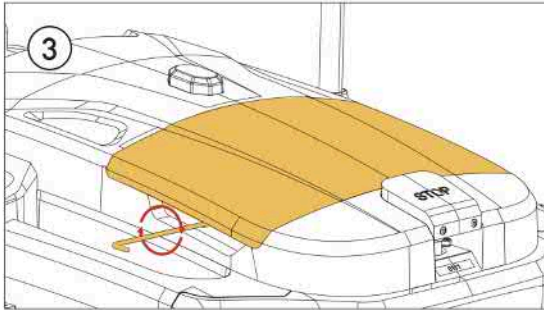
Press the Emergency Stop Button.



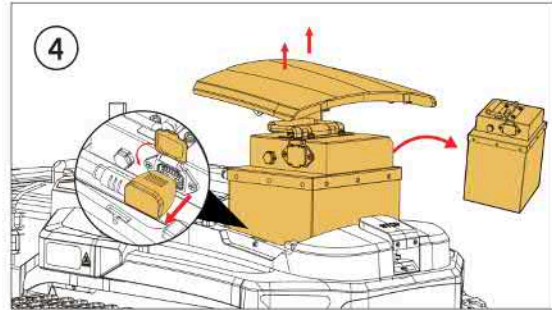
Confirm that Yarbo is turned off by checking if all the lights are switched off. For detailed instructions on how to turn off the machine, please refer to the **Yarbo App**.

LAWN MOWER User Manual

6. Maintenance Guide



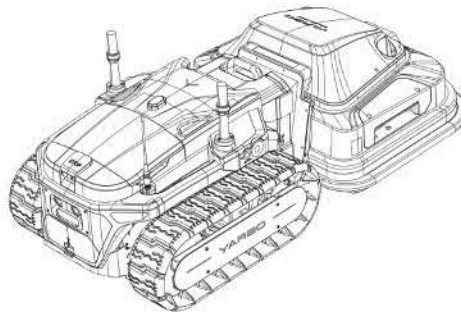
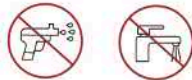
Unscrew the bolts on the side of the battery cover.



Remove the battery cover and unplug the cable connecting Yarbo and battery pack. **Remove** the battery pack and safely secure it.

6.2 Cleaning Yarbo Core

Please avoid using solvents or large amount of liquid on plastic components, as commercial solvents can potentially harm the appearance and integrity of your Yarbo. Instead, use a clean and gentle cloth or a brush to remove debris, mud, and other particles. Please avoid using the high-pressure water hose or any high pressure cleaning methods to clean the yarbo core.

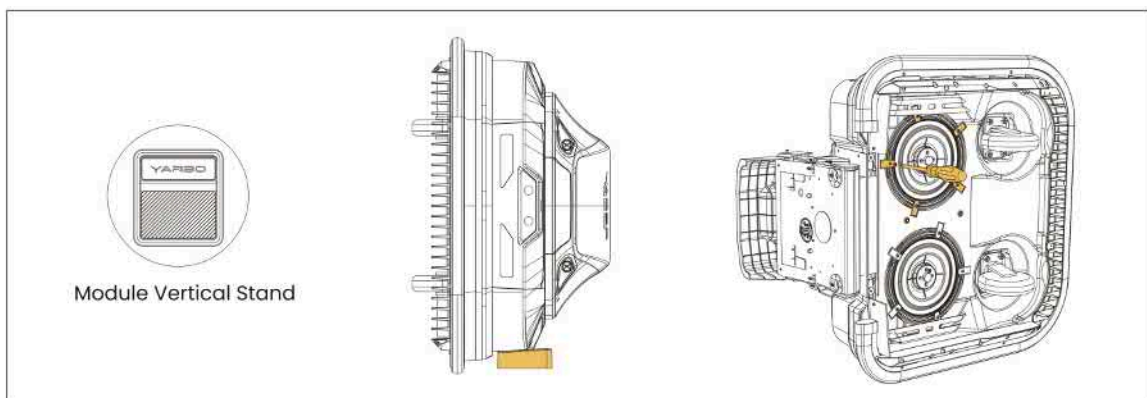


WARNING

- This statement advises that if a camera used for obstacle avoidance is covered, dirty, or unclear, it may lead to confusion about the visual algorithms that rely on these cameras. It suggests cleaning the cameras with a soft cloth to ensure they are clear and functioning properly.
- Ensure that the power socket does not come into contact with anything wet.

6.3 Replacing Cutting Blade

1. **Detach** the lawn mower module from Yarbo Core.
2. **Raise** the lawn mower module from the side and carefully place it on the **Module Vertical Stand**. Please refer to the picture shown below.
3. **Unscrew the** Cutting Blades Bolts using Phillips-Head Screwdriver provided in the lawn mower module box content.
4. **Install** the new blades by tightening the cutting blade bolts.



NOTICE

- It is recommended to replace all cutting blades simultaneously if the mowing results are not as satisfactory as before.
- The blades are advised to be replaced every three months. However, in the case of thick grass or more frequent use, blade replacements may be needed more often.

WARNING

- Stabilize the blade disc when fastening the cutting blade bolts.
- Ensure the safety of individuals by taking necessary precautions, such as wearing gloves, while performing this procedure.

LAWN MOWER User Manual

6. Maintenance Guide

6.4 Applying Grease on the Tracks

It is crucial to apply grease regularly on the tracks to maintain smooth rotation of the drive wheel and road wheels. This is especially important during the machine's first year of use. Over time, grease may degrade and diminish, making regular refills essential. We advise applying grease every two weeks throughout the snow season. While various grease types are suitable, we recommend opting for high-vacuum grease for optimal performance. Below are the situations when immediate application of grease is needed.

- **Motion Hampered:** When you sense that your Yarbo has not been greased for a while and its motion might be hampered due to this.
- **Noisy Operation:** Unusual noise coming from the tracks indicates possible friction or wear. Applying grease can help reduce this noise by lubricating the moving parts and reducing friction.
- **Track Disengagement:** If you notice the track becoming detached from the main body during inspection, it could be due to inadequate lubrication. Greasing the tracks can help maintain a secure connection between the tracks and the main body of the machine.

NOTICE

- The presence of debris or mud on the rubber tracks can negatively impact Yarbo's driving performance. To maintain optimal performance, make sure to clean debris and mud from the rubber tracks on a regular basis.

6.5 Updating Firmware

Ensuring optimal performance of Yarbo at the hardware level is crucial, but it's equally vital to maintain the firmware up-to-date. Regular firmware updates notification will be made available through the Yarbo App. We highly recommend utilizing the built-in Over-The-Air (OTA) technology within the Yarbo App to update the firmware as soon as new versions are released. These updates consistently enhance the capabilities of the product.

Before proceeding to update firmware, please ensure that the following conditions are met:

- ① Intalling Anti-slip Studs The battery level is at least 30%.
- ② Yarbo is connected to the internet.
- ③ No working schedules are active within the next hour to prevent interruptions during the update process.

6.6 Keeping Battery at its Best Performance

Extended periods of inactivity can significantly diminish the performance of the battery pack. To minimize this degradation, it's important not to leave the battery pack inactive for more than three months. Lithium-ion battery packs experience slight self-discharge over time. Charging the battery pack for at least 15 minutes once every three months will suffice to maintain its activity level.

NOTICE

- The battery pack lifespan is influenced by operation frequency and total working hours. If the operating time per full charge noticeably decreases, it might be the time to consider replacing the battery pack.

LAWN MOWER User Manual

7. Specification

7. Specification

7.1 Yarbo Lawn mower Module

| Item | Value |
|---|-------------------------------------|
| Dimensions, length*width*height | 27*29*16in/691*745*406mm |
| Weight | 30.9kg |
| Operational Temperature | -13°F to 113°F / -25°C to 45°C |
| Number of Mowing Disc | 2 |
| Number of Mowing Blade(Each Disc) | 5 |
| Noise level/db | 60db |
| Threshold capability/cm | 5cm |
| Maximum Climbing Capability, Slope Degree | 35° |
| Mowing coverage / m ² | 25000 m ² (twice a week) |
| Cutting Width | 20in / 50cm |
| Cutting Height | 1.2-4 in / 30-102mm |

8. Limited Warranty

8.1 Residential Warranty Coverage

Lawn Mower Module

| Item | Parts | Warranty Period |
|---------------|--------------------------------|-----------------|
| Motor system | Cutting Height Adjusting Motor | 2 Years |
| | Cutting Motor | |
| Vision System | Camera | 2 Years |
| | Rain Sensor | |
| | Ultrasonic Radar | |
| Consumables | Shell | 1 Year |
| | Cutting Disc | No Warranty |
| | Cutting Blade | |
| | Caster Wheel | |

LAWN MOWER User Manual

8. Limited Warranty

8.2 General Statement

1. Yarbo Inc. shall not be liable for compensation if it can prove one of the following circumstances:
 - ① The product has not been put into circulation;
 - ② When the product is put into circulation, the defect causing damage does not yet exist;
 - ③ When the product is put into circulation, the scientific and technological level cannot yet detect the existence of defects.
2. The warranty service is valid from the date of product delivery. When requesting after-sales service, our authorized service dealer may require the original invoice or receipt containing relevant information. In the absence of proof of purchase, the warranty period will commence based on the product's manufacturing date.
3. This warranty applies exclusively to original purchasers. Replacements do not initiate a new warranty; the original warranty remains valid from the initial delivery date. It's important to note that you may be responsible for covering the delivery costs associated with return, repair, or replacement of the product.
4. Yarbo will perform a diagnostic assessment on the returned product. If the defective product aligns with our limited warranty policy, Yarbo will cover the cost of repair or replacement. However, you may be responsible for the associated delivery charges.
5. Yarbo assumes no liability for any direct or indirect consequences arising from any cause, including but not limited to loss of use or loss of profits.
6. Please be mindful that any damage resulting from inappropriate packaging, other than the standard Yarbo packaging, is the sole responsibility of the customer. If you no longer have the original packaging, you must obtain suitable packaging or consult Yarbo's technicians for proper packaging guidance.

Repair and Warranty Services:

We have established a global after-sales service team, supported by local service partners, to ensure prompt and efficient service for all our users worldwide. Our comprehensive support includes a dedicated call center and local repair centers in key markets.

8. Limited Warranty

To request a repair service, please send your request to support@yarbo.com or contact us at **+1(888)-550-6809**.

If your product is still within the free warranty period and meets the criteria for a warranty repair, the service will be provided at no charge. If your product does not qualify for free warranty repair, standard repair fees may apply.

8.3 Warranty Forfeiture

The warranty may be forfeited under the following circumstances:

1. Failure to adhere to the operating or maintenance guidelines outlined in the User Manual.
2. Neglecting to perform the prescribed battery and product maintenance procedures.
3. Modification or repair conducted by an unauthorized service provider.
4. Damages resulting from forced operation with aged or deteriorated components.
5. Damages or product malfunctions arising from the misuse of unauthorized components or accessories.
6. Damages caused by non-defective factors, including but not limited to crashes or collisions. Additionally, damages caused by manually operating the product with a low-charged or defective battery, or tampering with the seals and labels on the product.
7. Components subject to normal wear and tear, such as the auger, rubber track, belt, or other parts subjected to typical usage, are not covered by warranty. For the purchase of these items, refer to our website at www.yarbo.com/pages/contact-us or connect with an authorized service dealer.
8. Warranty coverage does not extend to products used for commercial purposes. Commercial use includes instances where the product is employed in institutions, rented out, or utilized at multiple locations.

YARBO INC.

www.yarbo.com

For Privacy Policy, please visit:
<https://www.yarbo.com/legal/privacy-policy>
Please note, the User Manual may be updated based on the changes in production, product specification, included contents and so on.
For the latest version of the User Manual, please visit:
<https://www.yarbo.com/support>



Refer to Friends
& Get Rewards



Share Your
Yarbo Journey



Join Yarbo
Exclusive Community

 +1 (888)550-6809

 support@yarbo.com

 1951 Ocean Avenue, Unit 3, Ronkonkoma, NY 11779 United States

V 1.7.6